

Rain Sensors *for Automatic Irrigation Systems*



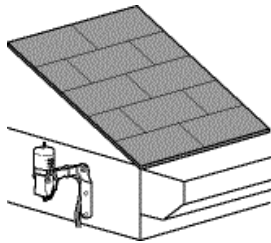
If you have an automatic irrigation system, you may have experienced the joy of watching the water run while the rain falls. Besides looking silly, this is a waste of water and can damage your lawn and garden.

Thankfully, there is a solution to this problem: installing a rain sensor. Rain sensors detect natural rainfall and shut the irrigation system off until the rain has stopped and the sensor has dried off. These devices can be

used with any brand or type of wall-mounted irrigation controller, and there are several types available.

Installing a Rain Sensor

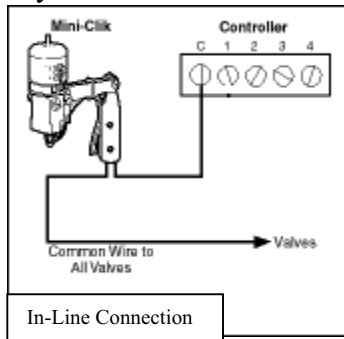
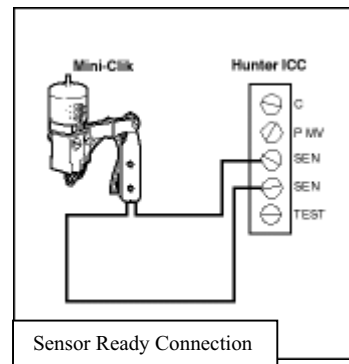
Locating your Sensor: All rain sensors should be installed near the major portion of the garden or yard, usually on the eave of the roof, on top of the fence, or placed on conduit. The sensors come equipped with long cables, and can be extended easily with 18-gauge irrigation wire so that installation can be as remote as needed. New wireless model eliminates cabling.



Connecting to your Controller:

Timers that are equipped with sensor terminals (sensor-ready) simply need wired to the proper places. Typically, jumper wires or plates should be removed first.

If your timer is not sensor-ready, you should connect one wire from the sensor to the common wire terminal, and the other to the common wire from the valves. You can also connect the sensor wire in-line anywhere on the common wire, one sensor wire to the common wire to the valves, and the other to the common wire from the controller. In this way, your rain sensor can be connected to any controller or valves.



Bypass Switches: Bypass switches are used to 'turn off' a rain sensor. If it has recently rained, and you need to test the irrigation system, a bypass switch will allow you to operate the system despite the sensor. On sensor-ready controllers, there is usually a bypass switch built into the controls. For all other types of controllers, this is an optional feature.



The Urban Farmer Store®

The Bay Area's Leader in Drip Irrigation since 1981

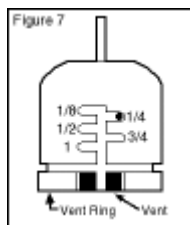
2855 Vicente St (at 40th Ave) • San Francisco, CA 94116 • (415) 661-2204 • Fax (415) 661-7826

653 East Blithedale • Mill Valley CA 94941 • (415) 380-3840 • Fax (415) 380-3848

2121 San Joaquin • Richmond, CA 94804 • (510) 524-1604 • Fax (510) 524-9797

©2001 The Urban Farmer Store, all rights reserved worldwide. ©The Urban Farmer Store is a registered service mark of The Urban Farmer Store, Inc. All others are service marks or trade marks of their respective holders, and may be registered. Rain Sensors/Handouts 2001/macstation 1

Available Rain Sensor Products



Mini-Clik- This sensor is one of the simplest and easiest to install on any irrigation system. The Mini-Clik sensor has several absorbent disks which expand when wet, tripping a switch that shuts off the irrigation system. When the disks dry out, they shrink and release the switch, allowing the system to operate again. The amount of rainfall can be easily adjusted on the sensor, from 1/8” to 1.” Available with either a wall-mount arm (**MC502 \$35.95**) or conduit mount (**MC502C \$36.95**).

Rain-Clik- The Rain-Clik is an updated version of the Mini-Clik, and has an “instant-off” feature. The “instant-off” switch turns the system off at the *beginning* of the rain, instead of waiting for a certain amount of rainfall before switching off. This prevents your water system from running even for a few minutes during a rainstorm. Can be installed with any of three different mounting options (included in package). **HURC \$36.95**



Wall Mount



Gutter Clip



8” Telescoping Extension Rod



Wireless Rain-Clik- This wireless version of the Rain-Clik allows you to install your sensor easily into any location, without the need for wires. This package comes with the sensor and a receiving unit, with a bypass switch built into the receiver. Maximum range is 300 feet, line-of-sight. **HUWRC \$129.00**

Sensor Bypass Switch- A bypass switch may be installed on any sensor / timer combination. The switch allows you to interrupt the signal from the sensor, allowing you to operate your system while the sensor is wet. This is useful for testing irrigation systems during the rainy season. Usually installed near the timer for ease of use. **MC202 \$11.90**



The Urban Farmer Store®

The Bay Area's Leader in Drip Irrigation since 1981

2833 Vicente St (at 40th Ave) • San Francisco, CA 94116 • (415) 661-2204 • Fax (415) 661-7826

653 East Blithedale • Mill Valley CA 94941 • (415) 380-3840 • Fax (415) 380-3848

2121 San Joaquin • Richmond, CA 94804 • (510) 524-1604 • Fax (510) 524-9797

©2001 The Urban Farmer Store, all rights reserved worldwide. ®The Urban Farmer Store is a registered service mark of The Urban Farmer Store, Inc. All others are service marks or trade marks of their respective holders, and may be registered. Rain Sensors/Handouts 2001/macstation 1